

STAIRCASE LUMINAIRES IP65



DENKO SMRI series DENKO SMSI series



DENKO SMRI



DENKO SMSI

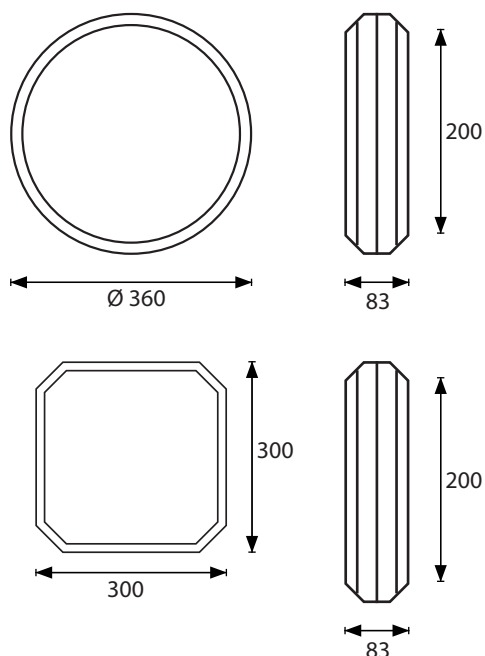
Features and Application

Aesthetic and resilient, the SMRI and SMSI staircase luminaire series are IP65 certified and are housed in polycarbonate base and PMMA diffuser. Ideal for outdoor applications, the SMRI and SMSI series are suitable for dusty, humid and corrosive environments such as car parks, loading bays, workshops, laboratories and corridor areas. The unit can be incorporated with optional High Frequency Electronic Ballast and/or Emergency Power Pack. It is easily installed by wall or ceiling mounting.

Technical Data

Housing Material	Polycarbonate Base
Diffuser Material	PMMA Opal Polycarbonate
Light Source	PL, PLL, PLS, 2D Lamp and PLC (LED)
Mains Supply	230V AC, 50/60Hz
Ballast	Magnetic ballast
Lampholder	Moulded from Polycarbonate Material
Protection	IP 65 Rating

Dimensions (mm)



Ordering Information

MODEL		LAMP
CIRCULAR MODEL	SQUARE MODEL	
DENKO SMRI 2008	DENKO SMSI 2008	2 x PLC 8W (LED)
DENKO SMRI 2009	DENKO SMSI 2009	2 x PLS 9W
DENKO SMRI 2011	DENKO SMSI 2011	2 x PLS 11W
W/Emergency Power Pack		
DENKO SMRI 2008E	DENKO SMSI 2008E	2 x PLC 8W (LED)
DENKO SMRI 2009E	DENKO SMSI 2009E	2 x PLS 9W
DENKO SMRI 2011E	DENKO SMSI 2011E	2 x PLS 11W

Optional

- High Frequency Electronic Ballast
- Emergency Power Pack (Add Suffix "E")
e.g. DENKO SMRI 2008E

SPECIFICATIONS SUBJECT TO CHANGES WITHOUT PRIOR NOTICE.