

RECESSED HALOGEN EMERGENCY LIGHT



HLG 110NM

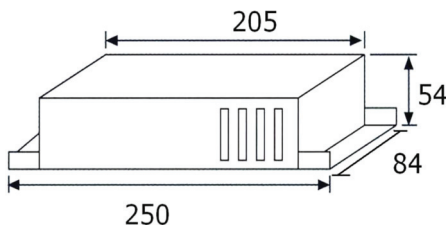
Features and Application

The HLG 110NM is a miniature emergency system that blends inconspicuously into existing decor arrangements of indoor locations including hotels, offices, homes and retail environments. It fits naturally into accessible and inaccessible ceilings by snapping the disc and flush mounted firmly.

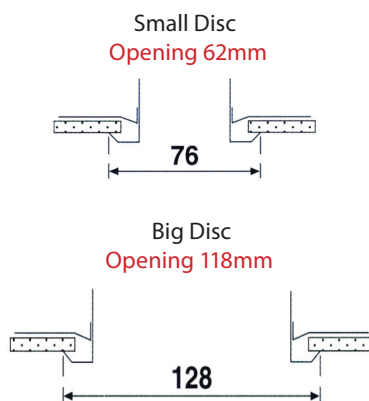


Dimensions (mm)

Conversion Kit



Recessed Mount



Technical Data

Mode of Operation	Non-maintained
Lamp	1 x 6V 10 watt Tungsten Halogen Lamp
Mains Supply	230V AC 50/60Hz
Power Consumption	3VA
Battery	Maintenance-free Sealed Lead Acid Battery
Charger	Fully automatic
Charging Monitor	Ø 5mm Green LED
Lamp Circuit Continuity Monitor	Ø 5mm Green LED
Recharge Period	24 hrs
Testing Facility	Push-off Test-switch for independent testing
Emergency Duration	2 hrs
Safety Feature	Low-voltage cut-off to prevent over-discharge of battery
Construction	Electro-galvanised steel casing; epoxy powder coating
Weight (Nett/Gross)	1.74 kg / 1.84 kg
Compliance	SS563; SS263 pt.2 ; IEC 60598-2-22; IEC 61347-2-7
Installation	Recess mounting
Warranty	1 year

Ordering Information

MODEL	LAMP
HLG 110NM (Recessed mount c/w small/big disc)	1 x 6V 10 watt Tungsten Halogen