

DECORATIVE WHITE LED TWIN-FLOOD EMERGENCY LIGHT WEATHERPROOF



DL 2301NM (WP)

Features and Application

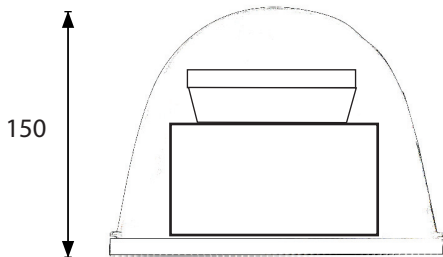
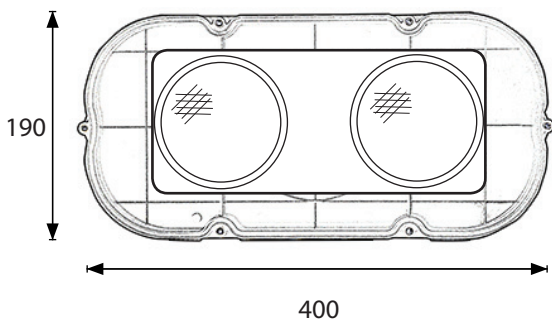
The DL 2301NM Twin-Flood Emergency Light Weatherproof is a IP65 rated self-contained LED emergency light that is specialised for outdoor usage. Utilising an injection moulded thermoplastic casing and housed in a weatherproof capsule, DL 2301NM (WP) is lightweight yet sturdy for wall mounting installations in outdoor environments.



Technical Data

Mode of Operation	Non-maintained
Lamp	2 x 1 watt High Flux White LED
Mains Supply	230V AC 50/60Hz
Power Consumption	3VA
Battery	Maintenance-free High Temperature Nickel Cadmium
Charger	Fully automatic
Charging Monitor	Ø 5mm Green LED
Recharge Period	24 hrs
Testing Facility	Push-off Test-switch for independent testing
Emergency Duration	2 hrs
Safety Feature	Low-voltage cut-off to prevent over-discharge of battery
Construction	Injection moulded thermoplastic housing with IP65 polycarbonate capsule
Weight (Nett/Gross)	1.9 kg / 2.0 kg
Compliance	SS563; SS263 pt.2; IEC 61347-2-7; IEC 61347-2-13; IEC 61347-1; IEC 62384; IEC 62301; IEC 62471
Installation	Wall mounting
Cable Entry	1 x 20mm Ø knockout hole
Warranty	1 year

Dimensions (mm)



Ordering Information

MODEL	LAMP
DL 2301NM (WP)	2 x 1 watt High Flux White LED