

DECORATIVE LED TWIN-FLOOD EMERGENCY LIGHT

DL 2301NM / DL 2301NM (WP)



PLS Listed
Emergency
Lighting



PSB Singapore



Class 1

EMERGENCY LIGHT



DL 2301NM



DL 2301NM (WP)

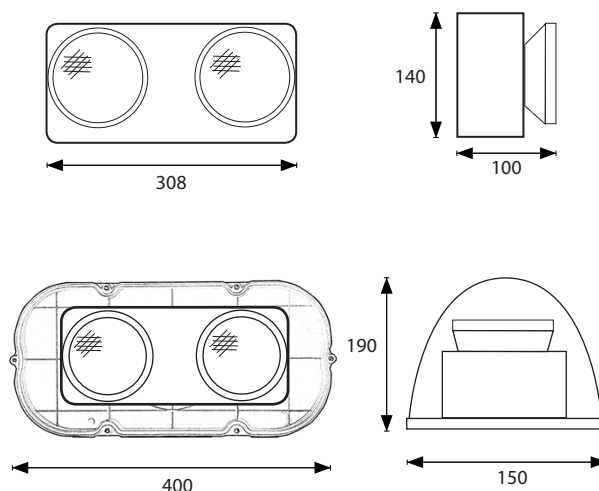
Features and Application

- Self-contained LED dual lamp emergency light.
- LED lamps provide high efficiency, durability and low energy consumption.
- Weatherproof version is housed in a IP65 polycarbonate capsule and ideal for outdoor areas such as dusty, humid and corrosive environments including car parks, loading bays, workshops, laboratories and corridor areas.

Technical Data

Mode of Operation	Non-maintained
Lamp	2 x 2W High flux white LED 2 x 3W High flux white LED
Operating Temperature	ta 0°C ~ 50°C
Mains Supply	230V AC 50Hz/60Hz
Power Consumption	2VA
Battery	High temperature NICD battery
Charger	Fully automatic
Charging Monitor	Ø 5mm green LED
Recharge Period	24 hours
Testing Facility	Test-switch for independent testing
Emergency Duration	3 hours
Safety Feature	Low-voltage cut-off to prevent over-discharge of battery
Construction	Casing - Injection moulded fire retardant polycarbonate Weatherproof capsule - Polycarbonate
Weight (Nett/Gross)	DL 2301NM - 1 kg / 1.1 kg DL 2301NM WP - 1.7 kg / 2 kg
Compliance	SS 563-2:2010; SS 263-2 (IEC 60598-2-22) /A2:2008
Installation	Wall or pendant mounting
Cable Entry	Standard 20mm Ø knockout hole
IP Rating	IP 20 - DL 2301NM IP 65 - DL 2301NM WP
Warranty	1 year

Dimensions (mm)



Ordering Information

MODEL	LAMP
DL 2301NM	2W High flux white LED
DL 2301NM (3W)	3W High flux white LED
DL 2301NM (WP)	High flux white LED

Options

- Standard
- Weatherproof Capsule