

LED TWIN-FLOOD EMERGENCY LIGHT

EmDL 203NM / EmDL 205NM

NEW



PLS Listed
Emergency
Lighting



PSB Singapore



Class I



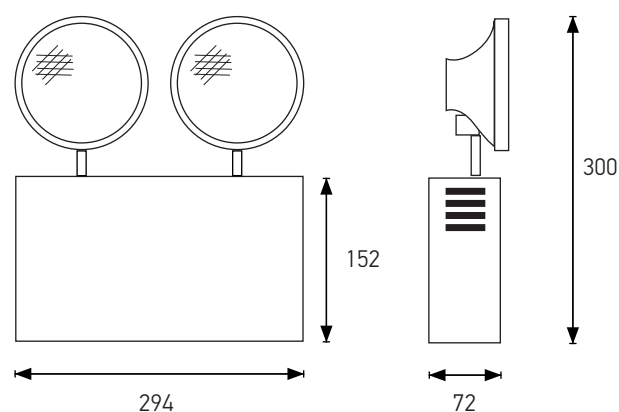
Features and Application

- Dual 3W/5W LED self-contained emergency light.
- Adjustable lamp heads to project light in desired position.
- Robust steel housing to provide good protection.

Technical Data

Mode of Operation	Non-maintained
Lamp	Samsung 2 x 3W/5W High flux white LED
Operating Temperature	ta 0°C ~ 50°C
Mains Supply	230V AC 50Hz/60Hz
Power Consumption	< 3W
Battery	High temperature NICD battery
Charger	Fully automatic
Charging Monitor	Ø 5mm green LED
Recharge Period	24 hours
Testing Facility	Test-switch for independent testing
Emergency Duration	3 hours
Safety Feature	Low-voltage cut-off to prevent over-discharge of battery
Construction	Casing - Electro-galvanised steel casing with epoxy powder coating Lamphead - High temperature polycarbonate
Weight	EmDL 203NM: 1.55 kg / 1.75 kg EmDL 205NM: 1.7 kg / 1.9 kg
Compliance	SS 563-2/A1:2013; SS IEC 60598-2-22:2016 SS IEC 60598-1:2016
Installation	Wall or pendant mounting
Cable Entry	1 x 20mm Ø knockout hole
IP Rating	IP 20
Warranty	1 year

Dimensions (mm)



Ordering Information

MODEL	LAMP
EmDL 203NM	Samsung 2 x 3W High flux white LED
EmDL 205NM	Samsung 2 x 5W High flux white LED