

# COMPACT EMERGENCY CONVERSION KIT FL140M-EV58



PLS Listed  
Emergency  
Power Pack



PSB Singapore



Class I

EMERGENCY  
CONVERSION KIT



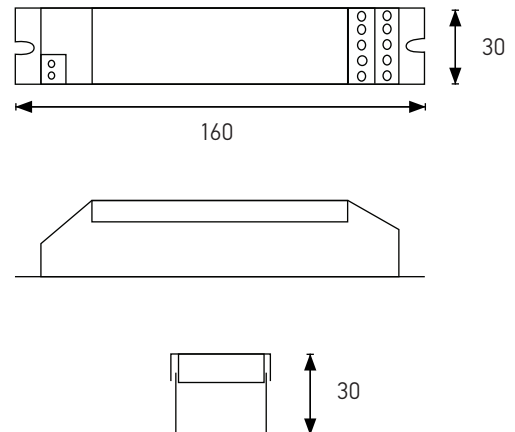
## Features and Application

- Designed for use in light fittings with various fluorescent and compact fluorescent lamps.
- Compact size allows for installation in various types and sizes of fittings.
- High efficiency inverter system used to ensure long backup duration.

## Technical Data

Mode of Operation	Maintained
Lamp Compatibility	4-pin Fluorescent lamp
Operating Temperature	ta 0°C ~ 50°C
Mains Supply	230V AC 50/60Hz
Power Consumption	< 3W
Battery	High temperature NICD battery
Charger	Fully automatic
Charging Monitor	Ø 5mm green LED
Recharge Period	24 hours
Testing Facility	Test-switch for independent testing
Emergency Duration	2 hours
Safety Feature	Low-voltage cut-off to prevent over-discharge of battery
Construction	Electro-galvanised steel casing with epoxy powder coating
Weight (Nett/Gross)	Module - 0.22 kg / 0.32 kg Battery - 0.35 kg
Compliance	IEC 61347-2-7:2011; SS 563-2/A1:2013
Warranty	1 year

## Dimensions (mm)



## Ordering Information

MODEL	LAMP COMPATIBILITY
FL140M-EV58	Fluorescent lamp Compact fluorescent lamp