

NEW

LED AUXILLARY EMERGENCY LIGHT LED-11NM (AUX GEM/2) / (AUX STAR)



Features and Application

- 1W high flux white LED stand-alone self-contained emergency light solution.
- Easy installation with various types of light fittings.
- LED lamps provide high efficiency, durability and low energy consumption.



AUX GEM



AUX GEM 2



AUX STAR

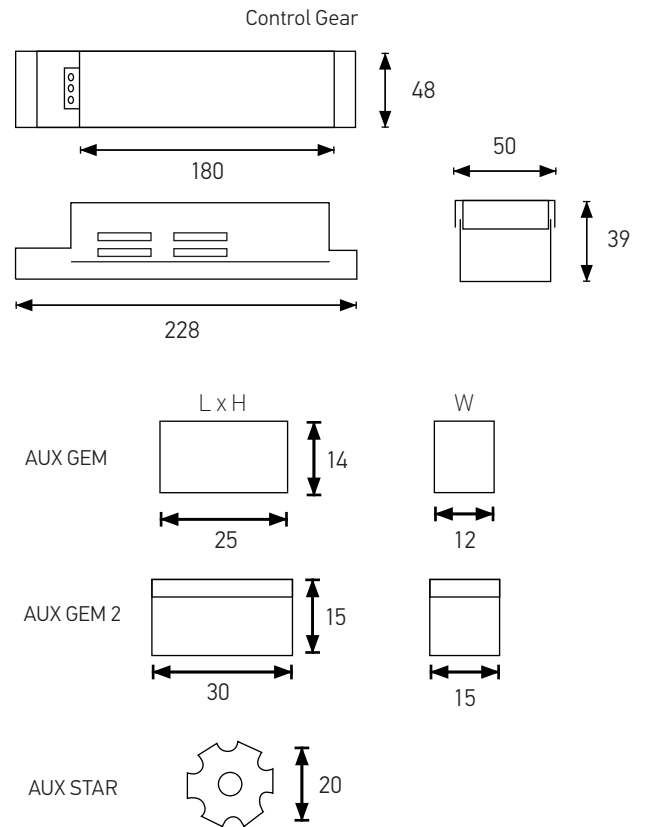


EMERGENCY LIGHT

Technical Data

Mode of Operation	Non-maintained
Lamp	1W High flux white LED
Operating Temperature	ta 0°C ~ 50°C
Mains Supply	230V AC 50Hz/60Hz
Power Consumption	< 1W
Battery	High temperature NIMH/NICD battery
Charger	Fully automatic
Charging Monitor	Ø 5mm green LED
Recharge Period	24 hours
Testing Facility	Test-switch for independent testing
Emergency Duration	3 hours
Safety Feature	Low-voltage cut-off to prevent over-discharge of battery
Construction	Control gear - Electro-galvanised steel casing with epoxy powder coating AUX GEM - Aluminium AUX GEM 2 - Polycarbonate AUX STAR - Aluminium based PCB
Weight (Nett / Gross)	Control gear - 0.5 kg / 0.55 kg
Compliance	SS 563-2:2010; SS 263-2 (IEC 60598-2-22) / A2:2008
IP Rating	IP 20
Warranty	1 year

Dimensions (mm)



Ordering Information

MODEL	LAMP
LED-11NM (AUX GEM/2)	1W High flux white LED
LED-11NM (AUX STAR)	1W High flux white LED