

WEATHERPROOF EMERGENCY EXIT SIGN

WLEX 100M / RM SERIES



PLS Listed
Emergency
Exit Sign



PSB Singapore



Class 1



WLEX 100M



WLEX 100RM

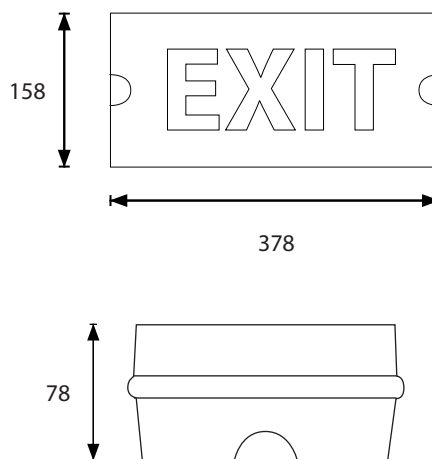
Features and Application

- IP65 weatherproof self contained emergency exit sign approved by TUV SUD PSB.
- Options for Exit or Running Man signage available.
- Ideal for outdoor areas such as dusty, humid and corrosive environments including car parks, loading bays, workshops, laboratories and corridor areas.
- LED lamps provide high efficiency, durability and low energy consumption.

Technical Data

Mode of Operation	Maintained
Lamp	2W High flux white LED
Operating Temperature	ta 0°C ~ 50°C
Mains Supply	230V AC 50/60Hz
Power Consumption	3VA
Battery	High temperature NIMH battery
Charger	Fully automatic
Charging Monitor	Ø 5mm green LED
Recharge Period	24 hours
Testing Facility	Test-switch for independent testing
Emergency Duration	3 hours
Safety Feature	Low-voltage cut-off to prevent over-discharge of battery
Construction	Injection moulded fire retardant polycarbonate housing
Weight (Nett/Gross)	1.2 kg / 1.3 kg
Compliance	SS 563-1:2010; SS 563-2:2010; SS 263-2 (IEC 60598-2-22) /A2:2008
Installation	Wall or pendant mounting
Legend	White text/graphical symbol over ISO green background
IP Rating	IP 65
Warranty	1 year

Dimensions (mm)



Ordering Information

EXIT	LEGEND	RUNNING MAN	LEGEND
WLEX 100M		WLEX 100RM	
WLEX 100M-E		WLEX 100RM-E	
WLEX 100M-T		WLEX 100RM-T	