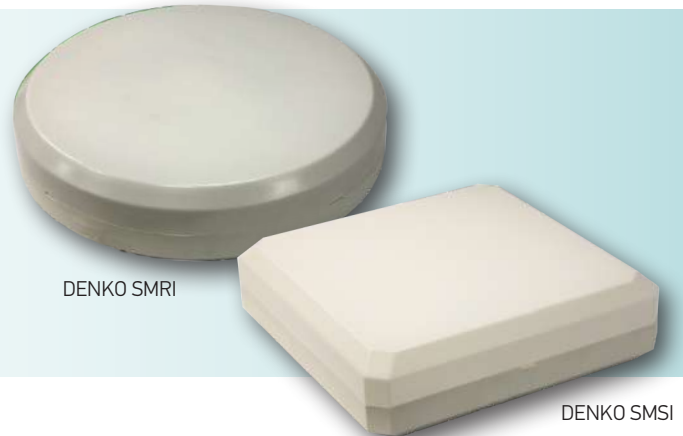


# STAIRCASE LUMINAIRES IP65 DENKO SMRI / SMSI SERIES



## Features and Application

- IP65 weatherproof, aesthetic and resilient luminaire made of polycarbonate base and PMMA diffuser.
- Ideal for outdoor areas such as dusty, humid and corrosive environments including car parks, loading bays, workshops, laboratories and corridor areas.
- Can be installed with optional High Frequency Electronic Ballast and/or Emergency Power Pack.
- Wall or ceiling mounting.

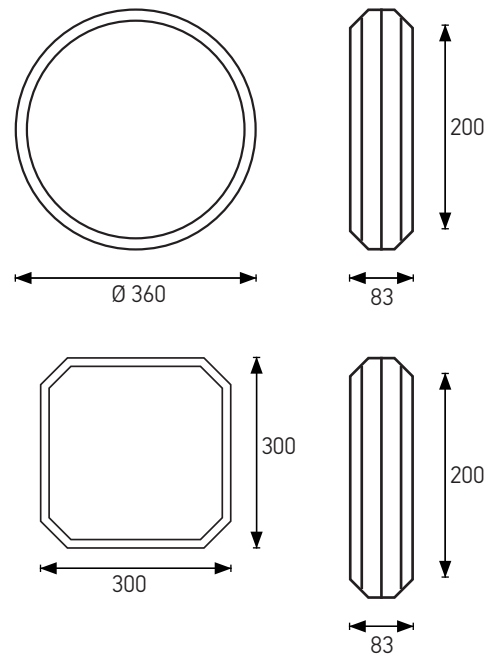


LUMINAIRE

## Technical Data

Housing Material	Polycarbonate base
Diffuser Material	PMMA Opal
Light Source	PL, PLL, PLS
Mains Supply	230V AC, 50/60Hz
Ballast	Magnetic ballast
Lampholder	Moulded from Polycarbonate Material
Protection	IP 65 Rating

## Dimensions (mm)



## Ordering Information

MODEL		LAMP
CIRCULAR MODEL	SQUARE MODEL	
DENKO SMRI 2009	DENKO SMSI 2009	2 x PLS 9W
DENKO SMRI 2011	DENKO SMSI 2011	2 x PLS 11W
W/EMERGENCY POWER PACK		
DENKO SMRI 2009E	DENKO SMSI 2009E	2 x PLS 9W
DENKO SMRI 2011E	DENKO SMSI 2011E	2 x PLS 11W

## Options

- High Frequency Electronic Ballast
- Emergency Power Pack (Add Suffix "E")  
e.g. DENKO SMRI 2011E