

LED SURFACE MOUNT LUMINAIRE

DENKO VISTA SERIES



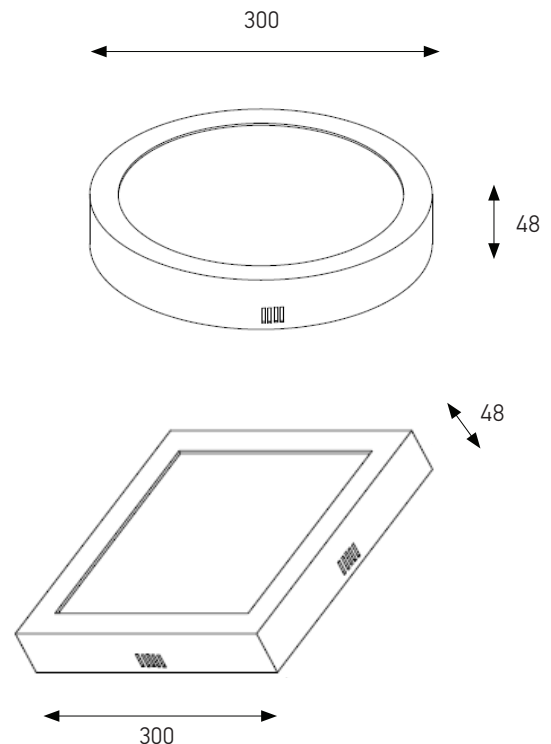
Features and Application

- Aesthetically pleasant, resilient and innovative product.
- The product provides simple energy-saving solutions for LED surface mount applications.
- The luminaire body is made of Aluminum powder coated with PC diffuser to allow uniform illumination.
- Suitable for mounting on walls and ceilings, walkways, corridors and staircase areas.

Technical Data

Housing Material	Aluminium
Diffuser Material	PMMA
Mains Supply	230V AC, 50/60Hz
Wattage (Max)	15W (Max) / 4W (Dim down)
Lumens (lm)	1275lm (15W) / 380lm (4W)
Power Factor	≥0.80
Colour Temperature	2700K – 6500K
Colour Rendering	RA ≥80
Dimension	Round: Ø 300 x 48 mm Square: 300 x 300 x 48 mm
IP Rating	IP 20

Dimensions (mm)



Ordering Information

MODEL	DESCRIPTION
DENKO VISTA ROUND	15W LED
DENKO VISTA SQ	15W LED
With Emergency Power Pack	Add on suffix 'E' - i.e. DENKO VISTA ROUND E
With Motion Sensor	Add on suffix 'M' - i.e. DENKO VISTA ROUND M
With Powerpack and Motion Sensor	Add on suffix 'EM' - i.e. DENKO VISTA ROUND ME