

LED RECESSED EMERGENCY LIGHT

LED-11NM



PLS Listed
Emergency
Lighting



PSB Singapore



Class I



EMERGENCY LIGHT



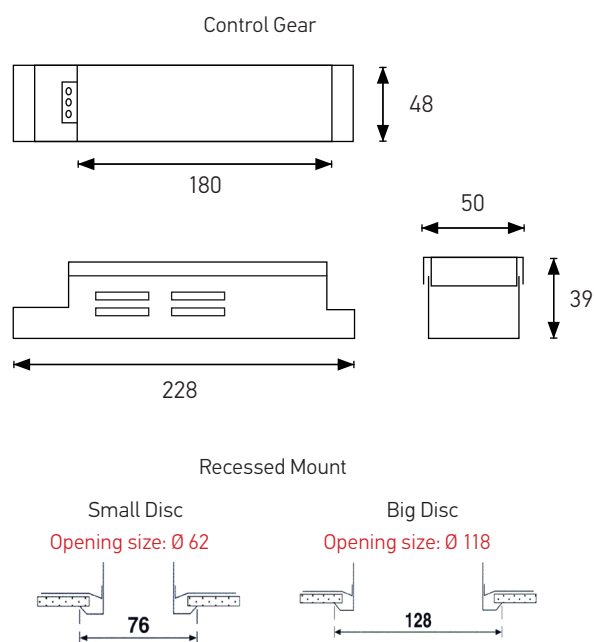
Features and Application

- Self-contained LED emergency light for recessed installation on ceilings.
- Suitable for various indoor environments such as retail, commercial, hospitality and healthcare industries.
- LED lamps provide high efficiency, durability and low energy consumption.
- Comes with option for small or big disc.

Technical Data

Mode of Operation	Non-maintained
Lamp	Samsung 2W High flux white LED
Operating Temperature	ta 0°C ~ 50°C
Mains Supply	230V AC 50Hz/60Hz
Power Consumption	< 1W
Battery	High temperature NICD battery
Charger	Fully automatic
Charging Monitor	Ø 5mm green LED
Recharge Period	24 hours
Testing Facility	Test-switch for independent testing
Emergency Duration	3 hours
Safety Feature	Low-voltage cut-off to prevent over-discharge of battery
Construction	Electro-galvanised steel casing; epoxy powder coating
Weight (Nett/ Gross)	Control gear - 0.5 kg / 0.55 kg Small disc - 0.1 kg / 0.11 kg Big disc - 0.2 kg / 0.22 kg
Compliance	SS 563-2/A1:2013; SS IEC 60598-2-22:2016 SS IEC 60598-1:2016
Installation	Recessed
IP Rating	IP20
Warranty	1 year

Dimensions (mm)



Ordering Information

MODEL	LAMP
LED-11NM (Small Disc)	2W Samsung High flux white LED
LED-11NM (Big Disc)	2W Samsung High flux white LED